

PRODUCT SPECIFICATIONS

HOC- FP-12DLC-1U
HOC- FP-24DLC-1U



FIBER PATCH PANEL – SINGLE MODE LC

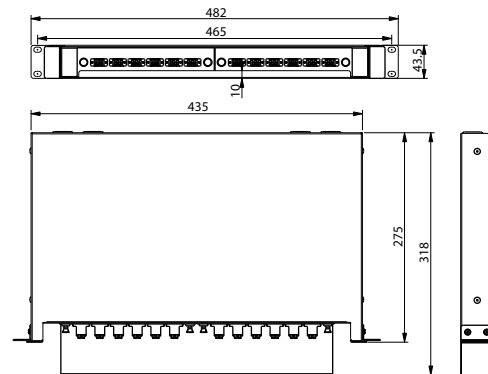
Fiber Patch Panel includes Termination and Splicing, LC typed adaptor Single mode, sliding type panel.

Applications:

Hakko Opto Fiber Patch Panels are designed for use on standard 19-inch racks and cabinets. The patch panels installed with 12 or 24 Duplex LC adaptors. Pigtails loaded for splicing with in-coming fiber cables. Pull-out design for front access. The fiber patching system is designed for use in high speed optical fiber transmission.

Features :

- Fiber core: 12/24 Duplex
- Material: Steel
- Sliding tray for front access
- Splicing & pigtail storage
- Size: 435mmW*44.2mmH*250mmD, 1U Height
- Adapter: LC typed
- Color: Black



Dimension:

1U – 44.5*482.6*66.5mm (H*W*D)



Function:

- Backbone fiber connections
- Data Center
- ELV rooms fiber connections
- Remote site intermediate connections